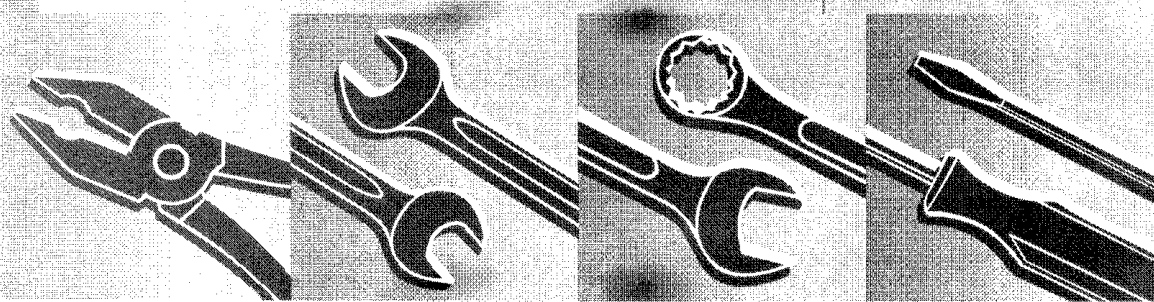


STIHL®

STIHL TS 510, 760

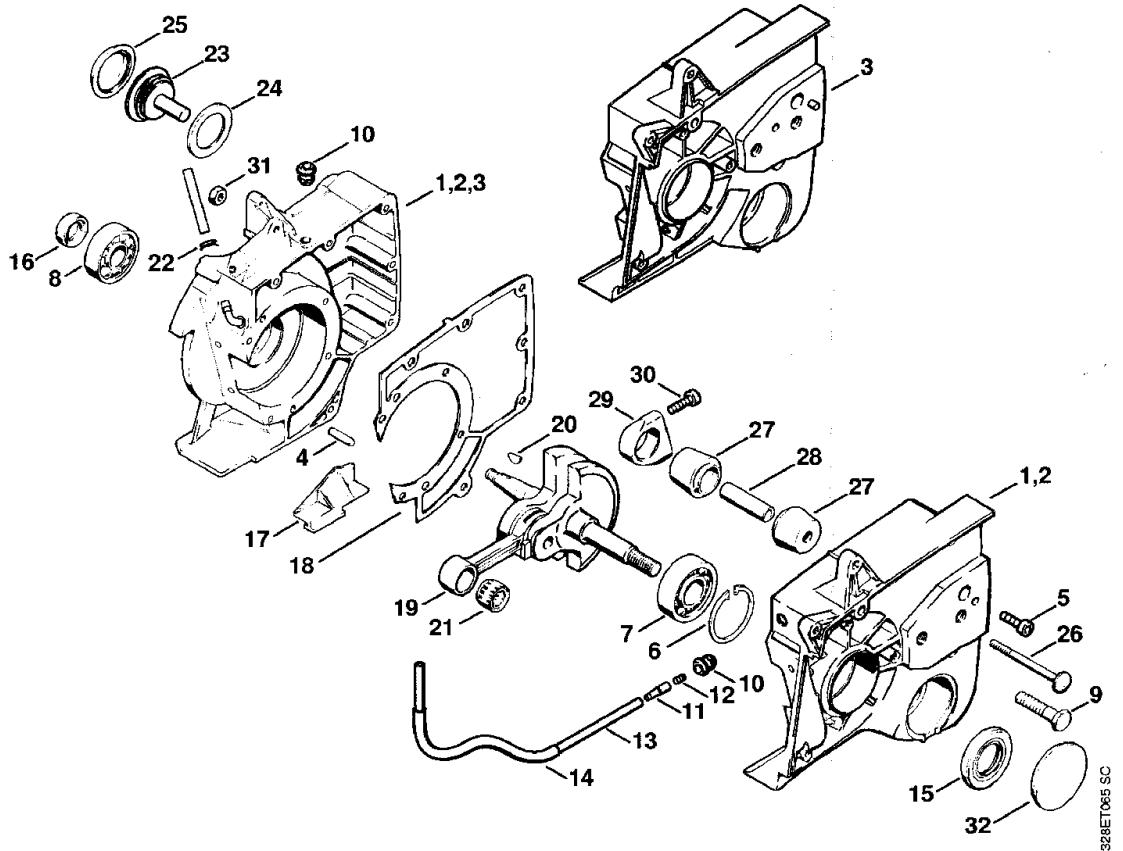
2003-04



Drawing

A

Crankcase



328ET045 SC

Drawing A Crankcase

Reference	Item number	Qty	Description
1	4205 020 2102	1	Crankcase (1) □ 4 - 14
2	4205 020 2103	1	Crankcase (2) □ 4 - 14
3	4205 020 2104	1	Crankcase (2) for TS 760 with Ø 400mm / 16" guard □ 4 - 14
4	9371 470 3120	2	Cylindrical pin 6x20
5	9022 341 1010	10	Spline screw IS-M5x18
6	9456 621 4910	1	Circlip 47x1.75
7	9503 003 0543	1	Grooved ball bearing 6204
8	9503 003 0443	1	Grooved ball bearing 6203
9	4201 708 8403	2	Hexagon head screw M10x40
10	4205 647 9100	2	Grommet
11	4205 350 5800	1	Tank vent □ 12
12	1120 358 8105	1	Vent insert
13		1	Hose 3.1x5.7x325 mm (D)
	0000 930 2803	1	Hose 3.1x5.7 mm x 1 m (B)
	0712 923 8004	1	Hose 3.1x5.7 mm x 10 m (B)
14	4205 141 8602	1	Hose 200 mm / 7 7/8"
15	9629 003 2900	1	Oil seal 25x47x7
16	9640 003 1570	1	Oil seal 15x24x7
17	1111 084 6600	1	Insert
18	1111 029 0501	1	Gasket
19	1111 030 0402	1	Crankshaft (25.2005) □ 20
20	1120 036 8500	1	Woodruff key 2x3.7
21	9512 003 3440	1	Needle cage 13 x17x17.5

(1) TS 510, (2) TS 760

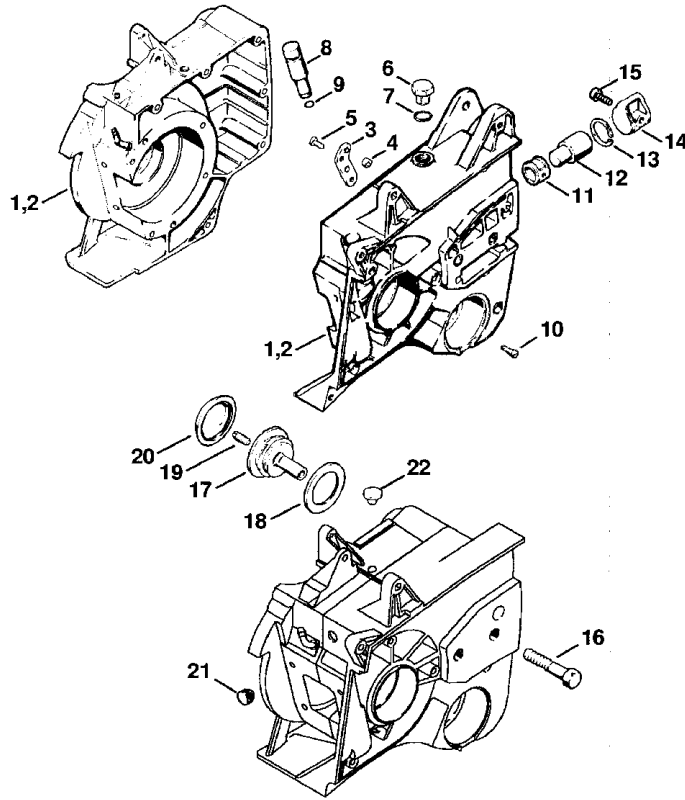
TS 510, TS 760

SCS 03-2009 3.28

Drawing A Crankcase

Reference	Item number	Qty	Description
22	4205 122 2500	1	Hose clip
23	4205 350 0550	1	Filler cap □ 24, 25
24	0000 992 6302	1	Sealing ring
25	4205 353 2300	1	Cap
26	9027 068 1480	1	Flat head screw M6x75
27	1111 790 9900	2	Annular buffer
28	1111 791 2700	1	Tube
29	1111 791 5400	1	Support
30	9022 341 1010	2	Spline screw IS-M5x18
31	9214 320 0900	1	Lock nut M6
32	1111 648 7700	1	Cover
	1111 007 1050	1	Set of gaskets (1) □ 15, 16, 18
	1111 007 1052	1	Set of gaskets (1) available in Brazil only □ 18
	1111 007 1051	1	Set of gaskets (2) □ 15, 16, 18

(1) TS 510, (2) TS 760



3285T066 SC

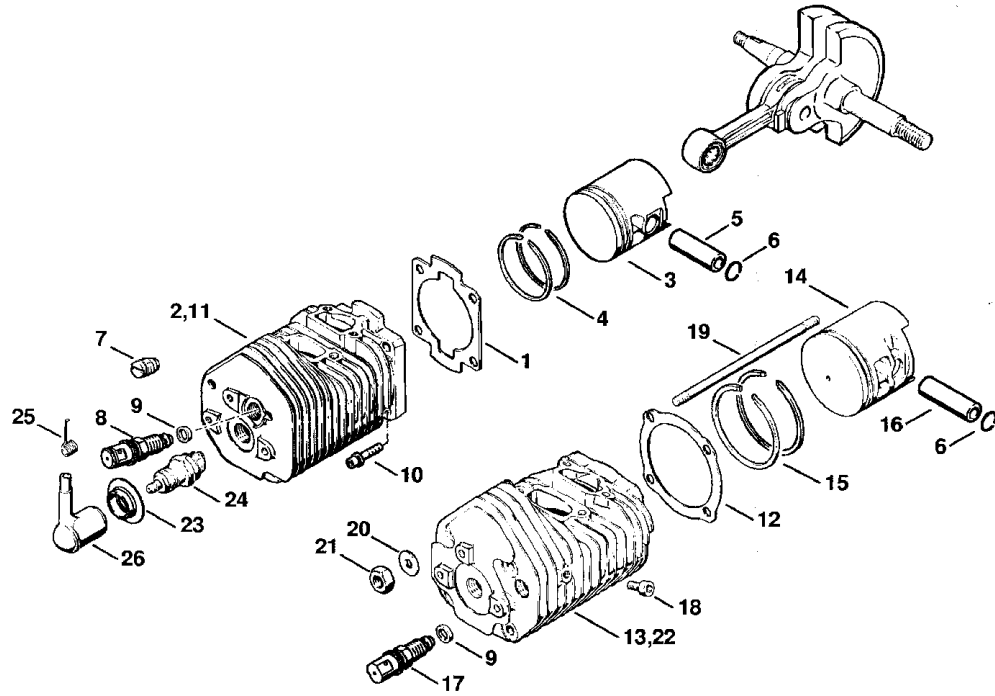
Drawing B Crankcase → X 23 529 742, X 23 531 439 (27.91)

Reference	Item number	Qty	Description
1 *	1111 020 2102	1	Crankcase (1) → X 23 531 439 (27.1991)
2 *	1111 020 2116	1	Crankcase (2) → X 23 529 742 (27.1991)
3 *	4205 647 1200	1	Cover → X 23 529 742 (27.1991)
4 *	1108 649 5000	2	Sealing ring 5x8.3x4.3 → X 23 529 742 (27.1991)
5 *	9079 216 0660	2	Flat head screw M4x12 → X 23 529 742 (27.1991)
6 *	0000 951 7102	1	Screw plug M12 → X 23 529 742 (27.1991)
7 *	9636 965 1160	1	Sealing ring 12x16 → X 23 529 742 (27.1991)
8 *	4205 647 7001	1	Plug → X 23 529 742 (27.1991)
9 *	9646 945 0490	1	O-ring 7x1.5 → X 23 529 742 (27.1991)
10 *	9092 216 0670	1	Flat head screw M5x10 → X 23 529 742 (27.1991)
11 *	1111 647 9000	1	Rubber ring → X 23 529 742 (27.1991)
12 *	4205 647 7000	1	Plug → X 23 529 742 (27.1991)
13 *	9456 621 2440	1	Circlip 22x1 → X 23 529 742 (27.1991)
14 *	1111 647 7000	1	Plug → X 23 529 742 (27.1991)
15 *	9048 319 0660	1	Pan head screw M4x12 → X 23 529 742 (27.1991)
16 *	9007 319 2450	1	Hexagon head screw M10x45 → X 23 529 742 (27.1991)
17 *	4205 007 1061	1	Filler cap kit → X 24 097 470 (26.1996) □ 18 - 20
18 *	0000 992 6302	1	Sealing ring → X 24 097 470 (26.1996)
19 *	0000 951 5815	1	Grub screw 1/4" → X 24 097 470 (26.1996)
20 *	4205 353 2300	1	Cap → X 24 097 470 (26.1996)
21 *	1124 791 7303	1	Plug → X 24 097 470 (26.1996)
22 *	9302 929 0840	1	Plug 8 (2) → X 17 609 548 (36.1987)

(1) TS 510, (2) TS 760

TS 510, TS 760

SCS 03-2009 3.28



328ET067 SC

Reference	Item number	Qty	Description
1	1111 029 2300	1	Cylinder gasket (1)
2	1111 020 1200	1	Cylinder with piston Ø 52 mm (1) □ 3 - 7
3	1111 030 2000	1	Piston Ø 52 mm (1) □ 4 - 6
4	1115 034 3001	2	Piston ring Ø 52x1.5 mm (1)
5	1111 034 1501	1	Piston pin 13x8x39 (1)
6	9462 650 1300	2	Snap ring 13
7 *	1111 025 2200	1	Plug (1) → X 24 093 968 (26.1996)
8	1111 020 9400	1	Decompression valve (1) □ 9
9	9636 003 0420	1	Sealing ring 6.5x9.5
10	9036 371 1020	4	Socket head screw M5x20 (1)
11	4205 020 1201	1	Cylinder with piston Ø 52 mm (1) USA □ 3 - 7
12	1111 029 2301	1	Cylinder gasket (2)
13	1111 020 1206	1	Cylinder with piston Ø 58 mm (2) □ 6, 14 - 16
14	1111 030 2002	1	Piston Ø 58 mm (2) □ 6, 15, 16
15	1111 034 3006	2	Piston ring Ø 58x1.5 mm (2)
16	1111 034 1500	1	Piston pin 13x8x44 (2)
17	1124 020 9400	1	Decompression valve (2)
18	9022 313 0935	1	Spline screw IS-M5x8 (2)
19	0000 953 1009	4	Stud (2)
20	9291 021 0140	4	Washer 6.4 (2)
21	9210 319 0900	4	Hexagon nut M6 (2)
22	4205 020 1200	1	Cylinder with piston Ø 58 mm (2) USA □ 6, 14 - 16
23	4205 084 1600	1	Cover USA

(1) TS 510, (2) TS 760

TS 510, TS 760

SCS 03-2009 3.28

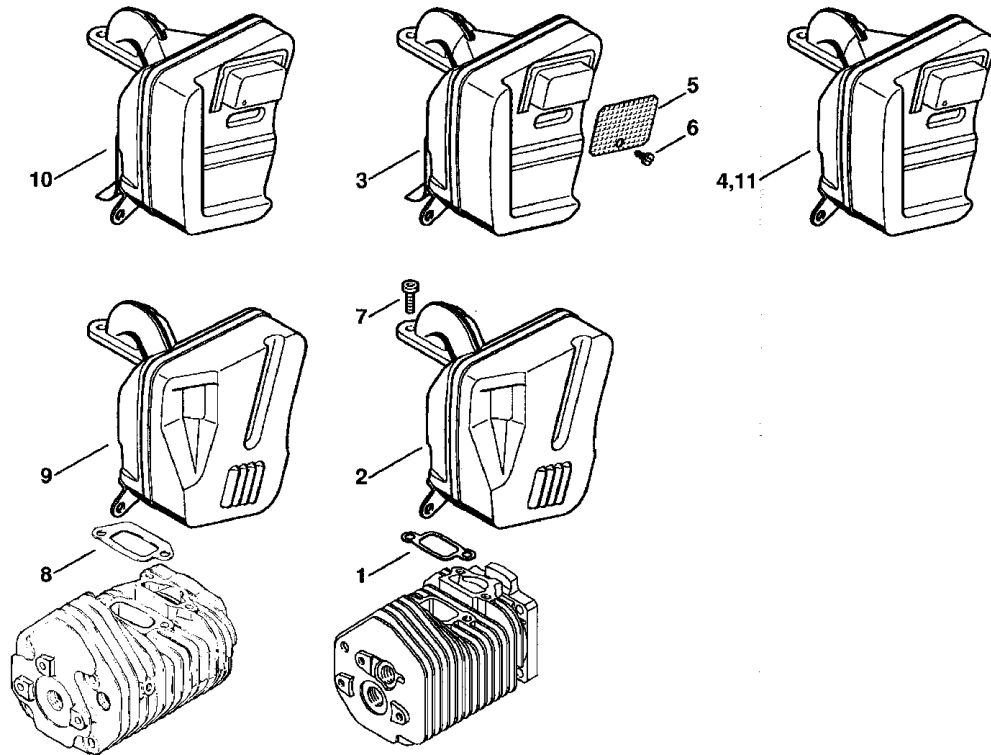
Drawing C Cylinder

Reference	Item number	Qty	Description
24	1110 400 7005	1	Spark plug Bosch WSR 6 F
24	0000 400 7000	1	Spark plug NGK BPMR7A
25	0000 998 0603	1	Torsion spring
26	1106 405 1000	1	Spark plug boot
	1111 007 1050	1	Set of gaskets (1) □ 1
	1111 007 1052	1	Set of gaskets (1) available in Brazil only □ 1
	1111 007 1051	1	Set of gaskets (2) □ 12

(1) TS 510, (2) TS 760

TS 510, TS 760

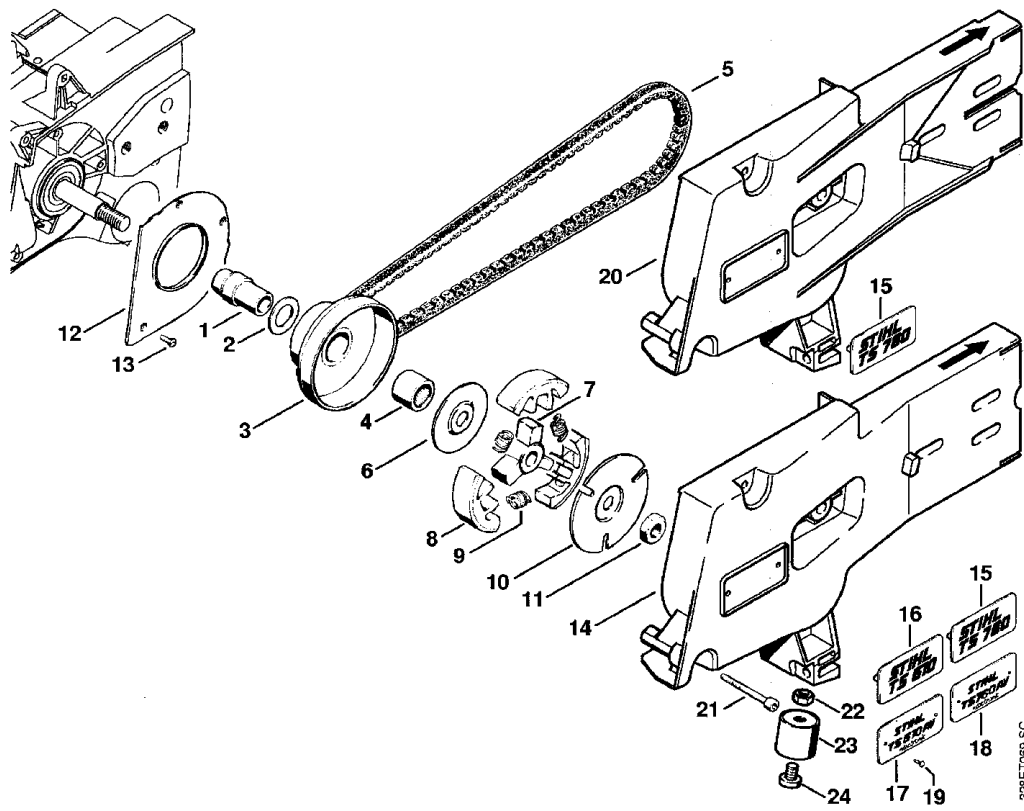
SCS 03-2009 3.28



328ET068 SC

Reference	Item number	Qty	Description
1	1111 149 0600	1	Muffler gasket (1)
2	1111 140 0613	1	Muffler (1)
3	4205 140 0601	1	Muffler (1) USA □ 5, 6
4 *	1111 140 0609	1	Muffler (1) USA, CDN → X 24 097 470 (26.1996) □ 5, 6
5	1111 141 9005	1	Screen
6	9099 021 0810	1	Self-tapping screw 4.2x9.5
7	9022 341 1010	2	Spline screw IS-M5x18
8	1111 149 0602	1	Muffler gasket (2)
9	1111 140 0614	1	Muffler (2)
10	4205 140 0602	1	Muffler (2) USA □ 5, 6
11 *	1111 140 0610	1	Muffler (2) USA, CDN → X 24 097 470 (26.1996) □ 5, 6
	1111 007 1050	1	Set of gaskets (1) □ 1
	1111 007 1052	1	Set of gaskets (1) available in Brazil only □ 1
	1111 007 1051	1	Set of gaskets (2) □ 8

(1) TS 510, (2) TS 760



328ET089 SC

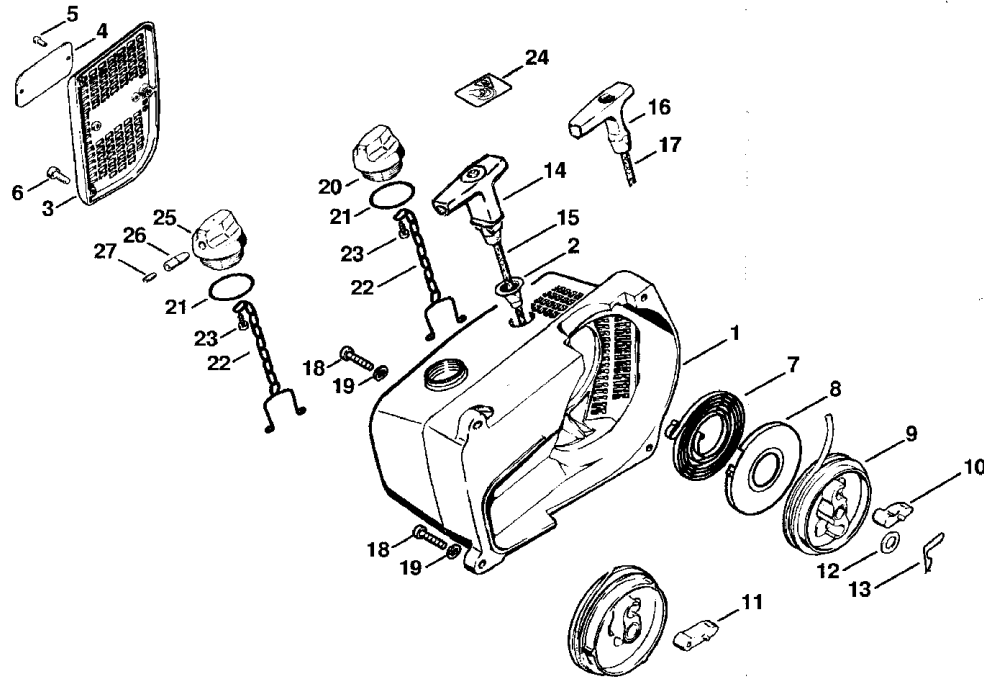
Drawing E Coupling, Cast arm

Reference	Item number	Qty	Description
1	4205 162 8200	1	Bushing
2	0000 958 1900	1	Washer A19.9
3	4205 700 2505	1	V-belt pulley □ 4
4	9529 003 4681	1	Needle cage 2020-2
5	9490 000 7892	1	Narrow V-belt 9.5x925 (1, 2)
5	9490 000 7895	1	Narrow V-belt 10x960 (2) for TS 760 with Ø 400mm / 16" guard
6	1111 162 8901	1	Washer A13
	1111 160 2001	1	Clutch □ 7 - 9
7	1111 162 3201	1	Carrier
8	1111 160 1502	3	Clutch shoe
9	0000 997 6002	3	Tension spring
10	1111 162 8902	1	Washer
11	9211 260 1470	1	Hexagon nut M12x1.5
12	1111 021 1606	1	Cover plate
13	9062 319 0650	3	Countersunk screw M4x10
14	4205 700 1205	1	Cast arm □ 15, 16
15	4205 967 1503	1	Model plate TS 760 (2)
16	4205 967 1502	1	Model plate TS 510 (1)
17	* 0000 967 1519	1	Model plate TS 510 AVE (1) → X 24 097 470 (26.1996)
18	* 4205 967 1501	1	Model plate TS 760 AVE (2) → X 24 097 470 (26.1996)
19	* 0000 974 1000	2	Round head rivet 3x6 → X 24 097 470 (26.1996)
20	4205 700 1210	1	Cast arm (2) for TS 760 with Ø 400mm / 16" guard □ 15
21	9022 341 1430	2	Spline screw IS-M6x50
22	9210 260 1100	1	Hexagon nut M8
23	4205 790 9301	1	Rubber buffer
24	9037 319 1750	1	Socket head screw M8x12

(1) TS 510, (2) TS 760

TS 510, TS 760

SCS 03-2009 3.28



328ET081 SC

Drawing F Rewind starter

Reference	Item number	Qty	Description
	4205 080 2100	1	Fan housing with rewind starter □ 1 - 10, 12 - 15
1	1111 080 1820	1	Fan housing □ 2
2	1110 084 9102	1	Bushing
3	1111 080 3100	1	Fan cover □ 4, 5
4	0000 967 2020	1	Nameplate STIHL
5	0000 974 1000	2	Round head rivet 3x6
6	9022 313 0680	3	Spline screw IS-M4x16
7	1117 190 0601	1	Rewind spring □ 8
8	1117 195 0301	1	Spring housing
9	1117 007 1014	1	Rope rotor kit □ 10
10	1124 195 7200	1	Pawl
11	* 1117 195 7200	1	Pawl (1) → X 15 394 025 (12.1986)
12	1118 162 8935	1	Washer
13	1117 195 3500	1	Spring
14	0000 190 3414	1	Starter grip ElastoStart Ø 4.5 mm □ 15
15	0000 190 2901	1	Starter rope Ø 4.5 mm
	0000 930 2295	1	Starter rope Ø 4.5mm / 28 pieces (B)
16	* 1121 195 3400	1	Starter grip → X 24 093 968 (26.1996)
17	* 1107 195 8200	1	Starter rope Ø 4.5x1000 mm → X 24 093 968 (26.1996)
	* 0000 930 2200	1	Starter rope Ø 4.5 mm x 30.5 m (B) → X 24 093 968 (26.1996)
18	9022 341 1050	4	Spline screw IS-M5x25
19	0000 958 0503	2	Washer

(1) TS 510, (2) TS 760

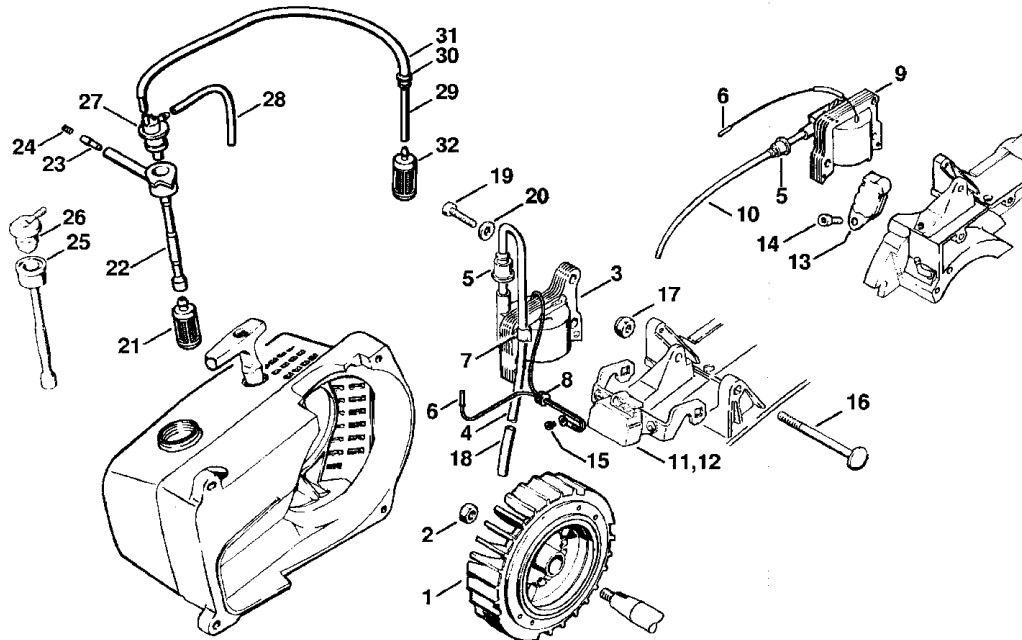
Drawing F Rewind starter

Reference	Item number	Qty	Description
20	4205 350 0501	1	Filler cap □ 21 - 23
21	9645 945 2820	1	O-ring 25x2.5
22	1117 350 0905	1	Filler cap retainer
23	9099 021 2360	1	Self-tapping screw 3.5x9.5
24	0000 967 3693	1	Warning pictogram Filler cap USA
25	* 1110 350 0501	1	Filler cap → X 17 609 548 (36.1987) □ 21 - 23, 26, 27
26	* 1110 353 8102	1	Insert → X 17 609 548 (36.1987)
27	* 1120 358 8105	1	Vent insert → X 17 609 548 (36.1987)

(1) TS 510, (2) TS 760

TS 510, TS 760

SCS 03-2009 3.28



SECRET079 SC

Drawing G Ignition system

Reference	Item number	Qty	Description
1	1111 404 1204	1	Flywheel (25.2005)
2	9210 261 1140	1	Hexagon nut M8x1
3	1111 400 1301	1	Ignition coil □ 4 - 8
4		1	Ignition lead 320 mm
	0000 405 0600	1	Ignition lead 1 m (B)
	0000 930 2251	1	Ignition lead 10 m (B)
5	0000 989 1010	1	Grommet
6	1110 442 7000	1	Contact sleeve
7	1111 448 1200	1	Lead retainer
8	0000 989 0808	1	Grommet
9 *	1111 400 1303	1	Ignition module → X 24 073 217 (33.1995) □ 5, 6, 10
10 *		1	Ignition lead 290 mm → X 24 073 217 (33.1995)
11	4205 400 1002	1	Trigger unit not for TS 760 with Ø 400mm / 16" guard USA, CDN
12	4205 400 1001	1	Trigger unit for TS 760 with Ø 400mm / 16" guard
12	4205 400 1001	1	Trigger unit
13 *	1118 400 1001	1	Trigger unit (33.1991)
14 *	9045 371 0960	2	Socket head screw M5x12 (33.1991)
15	9041 216 0300	1	Pan head screw M3x4
16	9027 068 1480	1	Flat head screw M6x75
17	9214 320 0900	1	Lock nut M6
18	1111 405 8800	1	Hose
19	9022 371 1020	3	Spline screw IS-M5x20
20	9291 021 0120	3	Washer 5.3

(1) TS 510, (2) TS 760

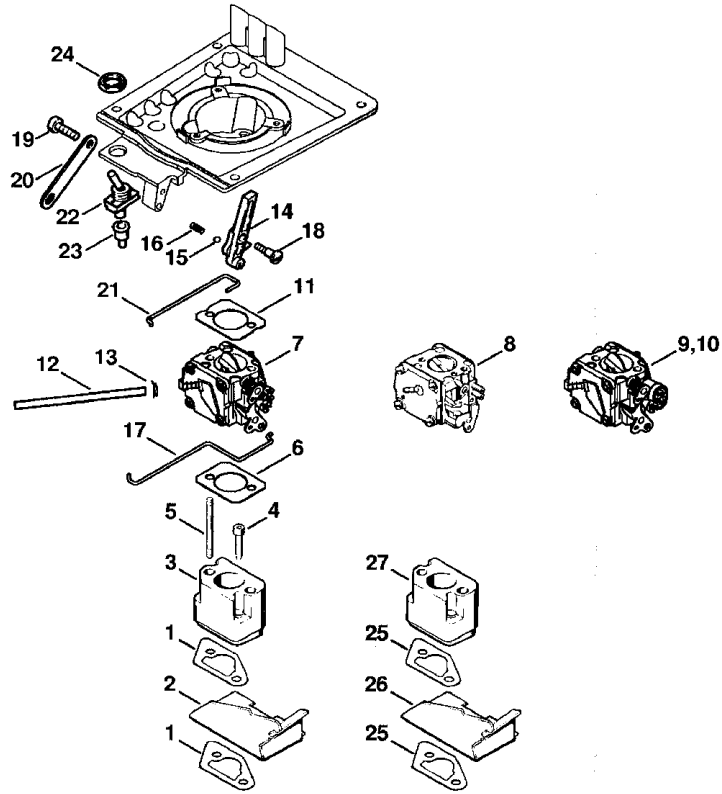
Drawing G Ignition system

Reference	Item number	Qty	Description
21	0000 350 3500	1	Pickup body
22	4205 350 3600	1	Hose □ 23, 24
23	1110 353 8102	1	Insert
24	1120 358 8105	1	Vent insert
25 *	1111 358 7700	1	Hose → X 17 609 548 (36.1987)
26 *	1111 353 2500	1	Elbow connector → X 17 609 548 (36.1987)
27	4205 353 5900	1	Tank vent
28		1	Hose 3.1x5.7x135 mm (D)
29		1	Hose 3.1x5.7x365 mm / 14 3/8" (D)
29 *		1	Hose 3.1x5.7x325 mm (D)
	0000 930 2803	1	Hose 3.1x5.7 mm x 1 m (B)
	0712 923 8004	1	Hose 3.1x5.7 mm x 10 m (B)
30	4205 647 9100	1	Grommet
31	4205 141 8602	1	Hose 200 mm / 7 7/8"
32 *	0000 350 3502	1	Pickup body

(1) TS 510, (2) TS 760

TS 510, TS 760

SCS 03-2009 3.28

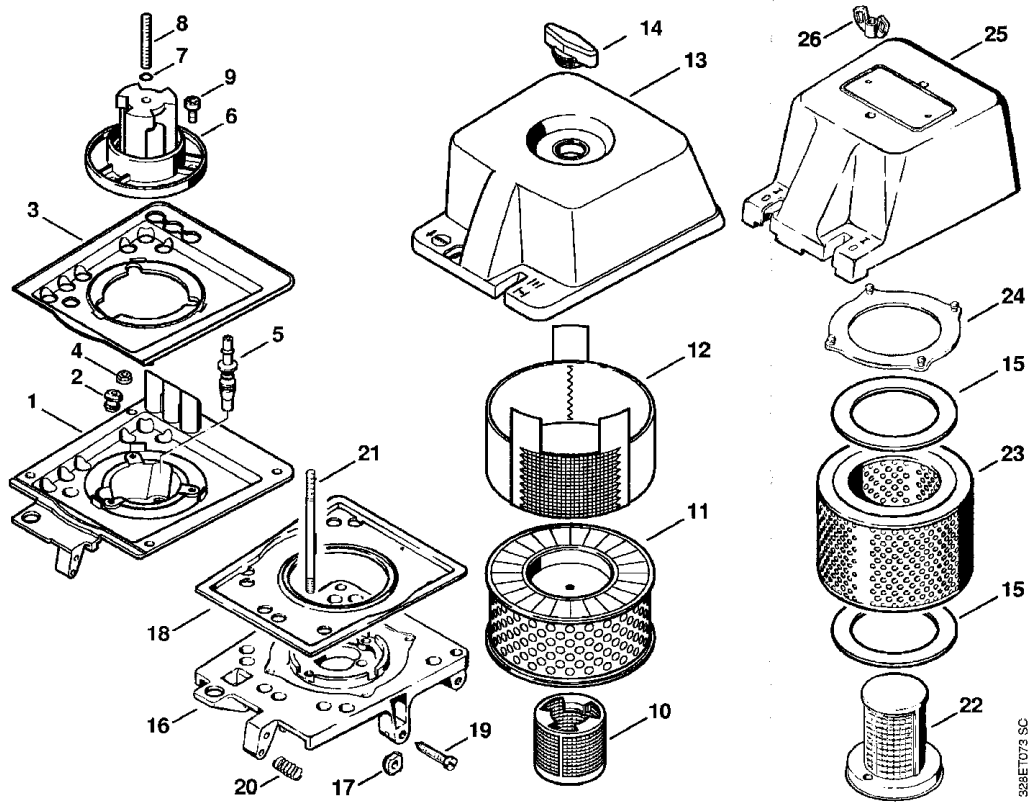


SECRET/02 SC

Drawing H Throttle control

Reference	Item number	Qty	Description
1	1111 129 1400	2	Gasket 0.5 mm (1)
2	1111 146 7400	1	Deflecting plate (1)
3	1111 120 2203	1	Flange (1)
4	9022 341 1070	2	Spline screw IS-M5x30
5	9121 319 1120	2	Stud M5x55
6	1111 129 1100	1	Gasket
7	4205 120 0601	1	Carburetor HS-277A
8 *	4205 120 0600	1	Carburetor HS-212B → X 24 097 470 (26.1996)
9	4205 120 0602	1	Carburetor HS-280D (1) USA
10	4205 120 0603	1	Carburetor HS-281D (2) USA
11	1110 149 1200	1	Gasket
12		1	Hose 3.1x5.7x120 mm (D)
	0000 930 2803	1	Hose 3.1x5.7 mm x 1 m (B)
	0712 923 8004	1	Hose 3.1x5.7 mm x 10 m (B)
13	4205 122 2500	1	Hose clip
14	1111 185 2001	1	Choke lever
15	9516 003 1730	1	Ball Ø 4 mm
16	1108 122 3001	1	Spring
17	1111 182 1501	1	Throttle rod
18	0000 951 2600	1	Oval head screw M4x10
19	9022 341 1010	1	Spline screw IS-M5x18
20	1111 148 4000	1	Strap
21	1111 185 1900	1	Choke rod
22	1111 430 0202	1	Stop switch available in Brazil only
22	1111 430 0210	1	Stop switch
23	1110 432 9200	1	Grommet
24	9211 260 1430	1	Hexagon nut M12x0.75
25	1111 129 1401	2	Gasket 0.5 mm (2)
26	1111 146 7401	1	Deflecting plate (2)
27	1111 120 2201	1	Flange (2)
	1111 007 1050	1	Set of gaskets (1) □ 1, 6, 11
	1111 007 1052	1	Set of gaskets (1) available in Brazil only □ 1, 6, 11
	1111 007 1051	1	Set of gaskets (2) □ 6, 11, 25

(1) TS 510, (2) TS 760

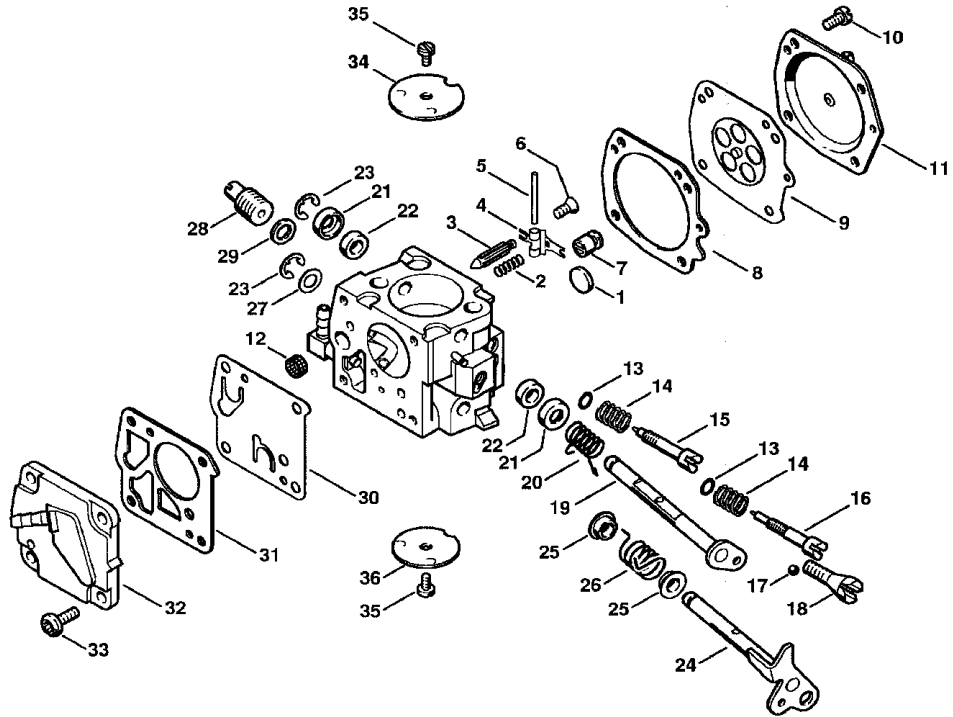


928BET073 SC

Drawing J Filter housing, Air filter

Reference	Item number	Qty	Description
1	4205 140 2850	1	Filter housing □ 9
2	4205 647 9100	1	Grommet
3	4205 149 0501	1	Gasket
4	9216 261 0700	2	Hexagon nut M5
5	4205 122 4000	1	Hose
6	4205 140 1100	1	Filter flange □ 7, 8
7	9645 945 7457	1	O-ring 5x1.5
8	9121 347 1370	1	Stud M6x30
9	9022 341 1010	3	Spline screw IS-M5x18
	4221 007 1002	1	Air filter kit (B) USA □ 10 - 12
10	4221 140 1800	1	Auxiliary filter
11	4221 140 4400	1	Air filter
12	4221 141 0310	1	Prefilter
13	4205 141 0502	1	Filter cover
14	4221 140 9500	1	Slotted nut
15	* 4201 146 7000	2	Washer (1) (18.1985)
16	* 4205 140 2803	1	Filter housing → X 24 097 470 (26.1996) □ 17, 18
17	* 1115 121 7700	1	Guide piece → X 24 097 470 (26.1996)
18	* 4205 149 0500	1	Gasket → X 24 097 470 (26.1996)
19	* 1110 122 6201	1	Idle speed adjustment screw → X 24 097 470 (26.1996)
20	* 0000 997 0326	1	Compression spring → X 24 097 470 (26.1996)
21	* 9121 319 1500	2	Stud M6x85 → X 24 097 470 (26.1996)
22	* 4201 140 1801	1	Auxiliary filter → X 24 097 470 (26.1996)
23	* 4201 141 0300	1	Main filter → X 24 097 470 (26.1996)
24	* 4201 149 0501	1	Gasket → X 24 097 470 (26.1996)
25	* 4205 140 1000	1	Filter cover → X 24 097 470 (26.1996) □ 24
26	* 9247 808 0900	2	Wing nut M6 → X 24 097 470 (26.1996)

(1) TS 510, (2) TS 760

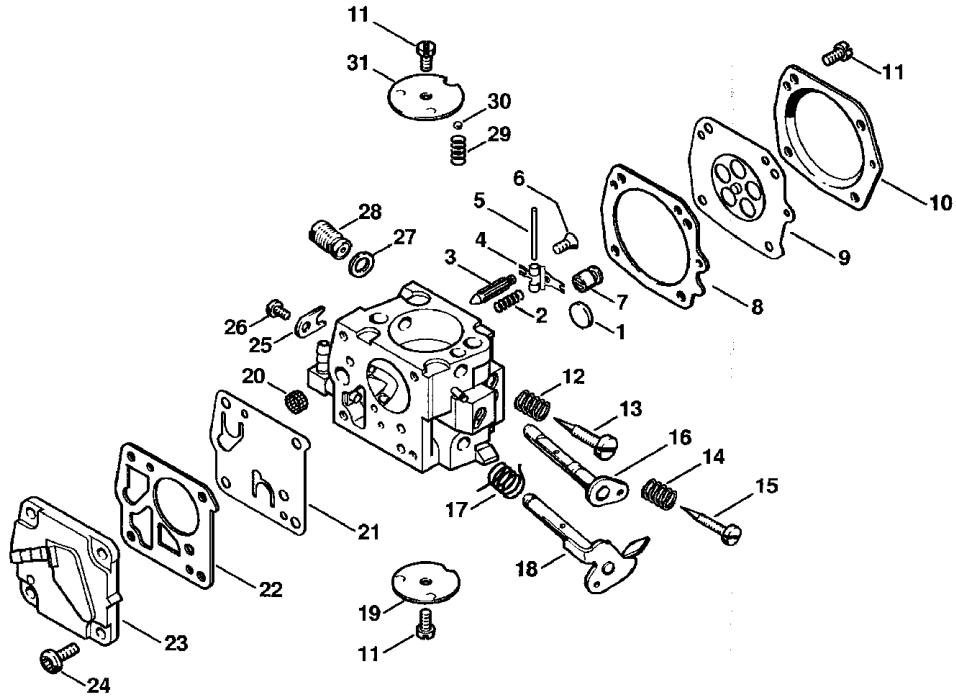


328ET009 SC

Drawing K Carburetor HS-277A

Reference	Item number	Qty	Description
	4205 120 0601	1	Carburetor HS-277A □ 1 - 36
1	1110 122 9410	1	Plug
2	1110 122 3020	1	Spring
3	1110 121 5100	1	Inlet needle
4	1124 121 5000	1	Inlet control lever
5	1110 121 9200	1	Spindle
6	1110 122 7801	1	Oval head screw
7	1111 121 5400	1	Valve jet
8	1110 129 0900	1	Gasket
9	1110 121 4700	1	Metering diaphragm
10	1106 122 7400	4	Round head screw
11	4205 121 0800	1	End cover
12	4221 121 7800	1	Strainer
13	4223 122 3600	2	Sealing ring
14	1110 122 3030	2	Spring
15	4205 122 6700	1	High speed adjustment screw
16	4205 122 6800	1	Low speed adjustment screw
17	4221 122 4200	1	Ball
18	4221 122 6200	1	Idle speed adjustment screw
19	4205 120 7200	1	Choke shaft with lever
20	4205 122 3200	1	Torsion spring
21	4221 121 9400	2	Ring
22	4221 122 3605	2	Sealing ring
23	1110 122 9005	2	E-clip
24	4221 120 7100	1	Throttle shaft with lever
25	4221 122 9100	2	Bushing
26	4221 122 3200	1	Torsion spring
27	4221 121 8600	1	Washer
28	4205 120 8705	1	Control valve
29	1110 129 3000	1	Sealing ring
30	1110 121 4800	1	Pump diaphragm
31	1110 129 1110	1	Gasket
32	1110 121 0815	1	End cover
33	1110 122 7700	4	Oval head screw
34	1115 121 2900	1	Choke shutter
35	1110 122 7400	2	Round head screw
36	1115 121 3300	1	Throttle shutter
	1115 007 1060	1	Set of carburetor parts □ 8, 9, 30, 31

(1) TS 510, (2) TS 760



928ET074 SC

Drawing L Carburetor HS-212B → X 24 097 470 (26.96)

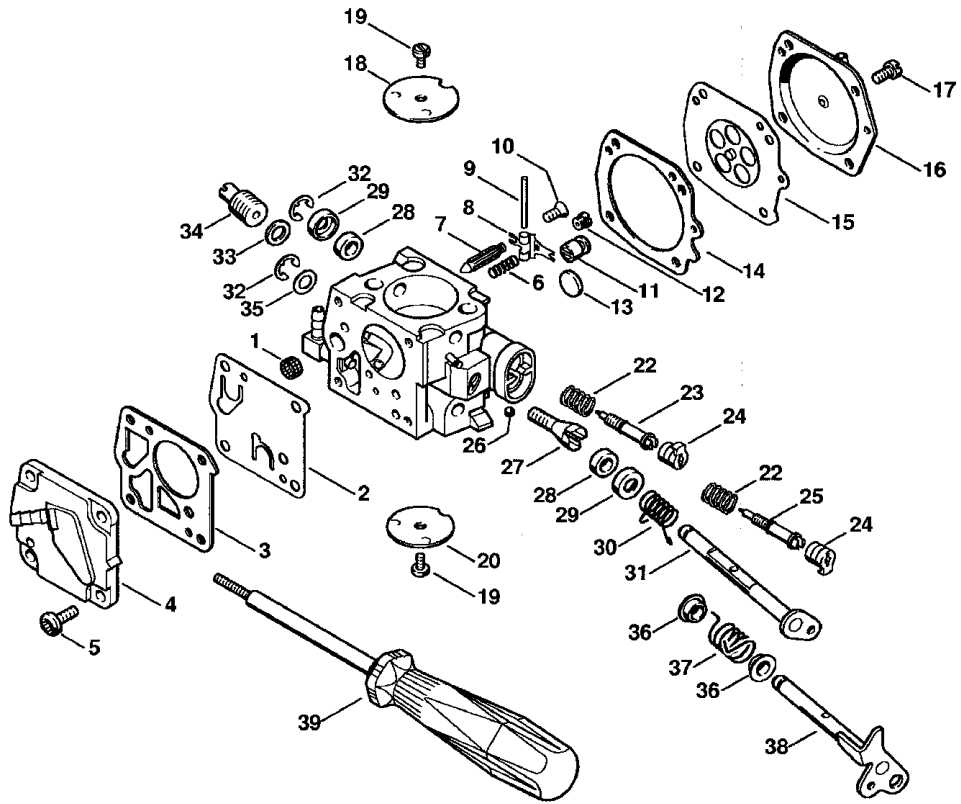
Reference	Item number	Qty	Description
	* 4205 120 0600	1	Carburetor HS-212B → X 24 097 470 (26.1996) □ 1 - 31
1	* 1110 122 9410	1	Plug → X 24 097 470 (26.1996)
2	* 1110 122 3020	1	Spring → X 24 097 470 (26.1996)
3	* 1110 121 5100	1	Inlet needle → X 24 097 470 (26.1996)
4	* 1124 121 5000	1	Inlet control lever → X 24 097 470 (26.1996)
5	* 1110 121 9200	1	Spindle → X 24 097 470 (26.1996)
6	* 1110 122 7801	1	Oval head screw → X 24 097 470 (26.1996)
7	* 1111 121 5400	1	Valve jet → X 24 097 470 (26.1996)
8	* 1110 129 0900	1	Gasket → X 24 097 470 (26.1996)
9	* 1110 121 4700	1	Metering diaphragm → X 24 097 470 (26.1996)
10	* 1111 121 0803	1	End cover → X 24 097 470 (26.1996)
11	* 1106 122 7400	6	Round head screw → X 24 097 470 (26.1996)
12	* 1106 122 3000	1	Spring → X 24 097 470 (26.1996)
13	* 1111 122 6700	1	High speed adjustment screw → X 24 097 470 (26.1996)
14	* 1110 122 3030	1	Spring → X 24 097 470 (26.1996)
15	* 1110 122 6800	1	Low speed adjustment screw → X 24 097 470
16	* 1111 120 7200	1	Choke shaft with lever → X 24 097 470 (26.1996)
17	* 1110 122 3200	1	Torsion spring → X 24 097 470 (26.1996)
18	* 1111 120 7100	1	Throttle shaft with lever → X 24 097 470 (26.1996)
19	* 1115 121 3300	1	Throttle shutter → X 24 097 470 (26.1996)
20	* 4221 121 7800	1	Strainer → X 24 097 470 (26.1996)
21	* 1110 121 4800	1	Pump diaphragm → X 24 097 470 (26.1996)
22	* 1110 129 1110	1	Gasket → X 24 097 470 (26.1996)
23	* 1110 121 0815	1	End cover → X 24 097 470 (26.1996)
24	* 1110 122 7700	4	Oval head screw → X 24 097 470 (26.1996)
25	* 1110 122 9300	1	Clip → X 24 097 470 (26.1996)
26	* 1110 122 7400	1	Round head screw → X 24 097 470 (26.1996)
27	* 1110 129 3000	1	Sealing ring → X 24 097 470 (26.1996)
28	* 4205 120 8700	1	Control valve → X 24 097 470 (26.1996)
29	* 1108 122 3001	1	Spring → X 24 097 470 (26.1996)
30	* 1110 122 4200	1	Ball → X 24 097 470 (26.1996)
31	* 1115 121 2900	1	Choke shutter → X 24 097 470 (26.1996)

(1) TS 510, (2) TS 760

Drawing

M

Carburetor, HS-280D, HS-281D



SECRET/76 SC

Drawing M Carburetor, HS-280D, HS-281D

Reference	Item number	Qty	Description
	4205 120 0602	1	Carburetor HS-280D (1) USA □ 1 - 38
	4205 120 0603	1	Carburetor HS-281D (2) USA □ 1 - 38
1	4221 121 7800	1	Strainer
2	1110 121 4800	1	Pump diaphragm
3	1110 129 1110	1	Gasket
4	1110 121 0815	1	End cover
5	1110 122 7700	4	Oval head screw
6	1110 122 3020	1	Spring
7	4116 121 5100	1	Inlet needle
8	1124 121 5000	1	Inlet control lever
9	1110 121 9200	1	Spindle
10	1110 122 7801	1	Oval head screw
11	4221 121 5400	1	Valve jet
12	4205 121 5601	1	Fixed jet 0.61
13	1110 122 9410	1	Plug
14	1110 129 0900	1	Gasket
15	1110 121 4700	1	Metering diaphragm
16	4205 121 0800	1	End cover
17	1106 122 7400	4	Round head screw
18	1115 121 2900	1	Choke shutter
19	1110 122 7400	2	Round head screw
20	1115 121 3300	1	Throttle shutter
22	4205 122 3000	2	Spring
23	4205 122 6701	1	High speed adjustment screw
24	4205 121 2700	2	Cap
25	4205 122 6801	1	Low speed adjustment screw
26	4221 122 4200	1	Ball
27	4221 122 6200	1	Idle speed adjustment screw
28	4221 122 3605	2	Sealing ring
29	4221 121 9400	2	Ring
30	4205 122 3200	1	Torsion spring
31	4205 120 7200	1	Choke shaft with lever

(1) TS 510, (2) TS 760

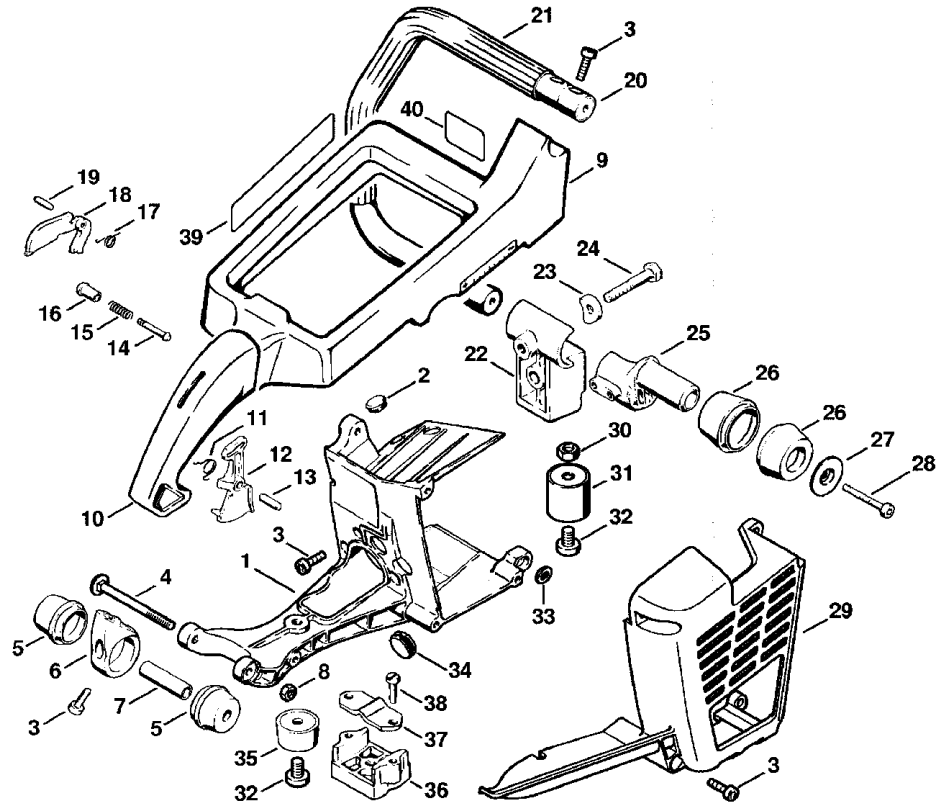
Drawing M Carburetor, HS-280D, HS-281D

Reference	Item number	Qty	Description
32	1110 122 9005	2	E-clip
33	1110 129 3000	1	Sealing ring
34	4205 120 8701	1	Control valve
35	4221 121 8600	1	Washer
36	4221 122 9100	2	Bushing
37	4221 122 3200	1	Torsion spring
38	4221 120 7101	1	Throttle shaft with lever
39	5910 890 4500	1	Puller (B)
	1115 007 1060	1	Set of carburetor parts □ 2, 3, 14, 15

(1) TS 510, (2) TS 760

TS 510, TS 760

SCS 03-2009 3.28



328ET082 SC

Drawing N Shroud, Handle frame

Reference	Item number	Qty	Description
1	4205 080 1600	1	Shroud
2	1110 145 9001	2	Plug
3	9022 341 1010	12	Spline screw IS-M5x18
4	9027 068 1480	1	Flat head screw M6x75
5	1111 790 9915	2	Annular buffer
6	1111 791 7600	1	Support
7	1111 791 2700	1	Tube
8	9214 320 0900	1	Lock nut M6
9	1111 791 4902	1	Handle frame
10	1111 791 2201	1	Rubber grip
11	0000 998 1000	1	Torsion spring
12	1111 182 1002	1	Throttle trigger
13	9373 542 2610	1	Cylindrical pin 5x18
14	1114 182 8900	1	Pin
15	0000 997 0603	1	Compression spring
16	1111 182 9300	1	Starting throttle lock
17	0000 998 0802	1	Torsion spring
18	1111 182 0800	1	Trigger interlock
19	9371 470 2110	1	Cylindrical pin 4x16
20	1111 790 1700	1	Handlebar with hose
			□ 21
21		1	Handle hose 23x320 mm / 15/16x12 5/8"
	0000 791 2005	1	Handle hose Ø 23 mm x 5m / 1x197" (B)
22	4205 791 7602	1	Support
23	4201 791 8600	1	Thrust washer
24	9007 319 1930	1	Hexagon head screw M8x45
25	1111 791 1901	1	Handlebar support
26	1111 790 9905	2	Annular buffer
27	1111 791 9800	1	Washer
28	9022 341 1090	1	Spline screw IS-M5x40
29	1111 146 6009	1	Guard

(1) TS 510, (2) TS 760

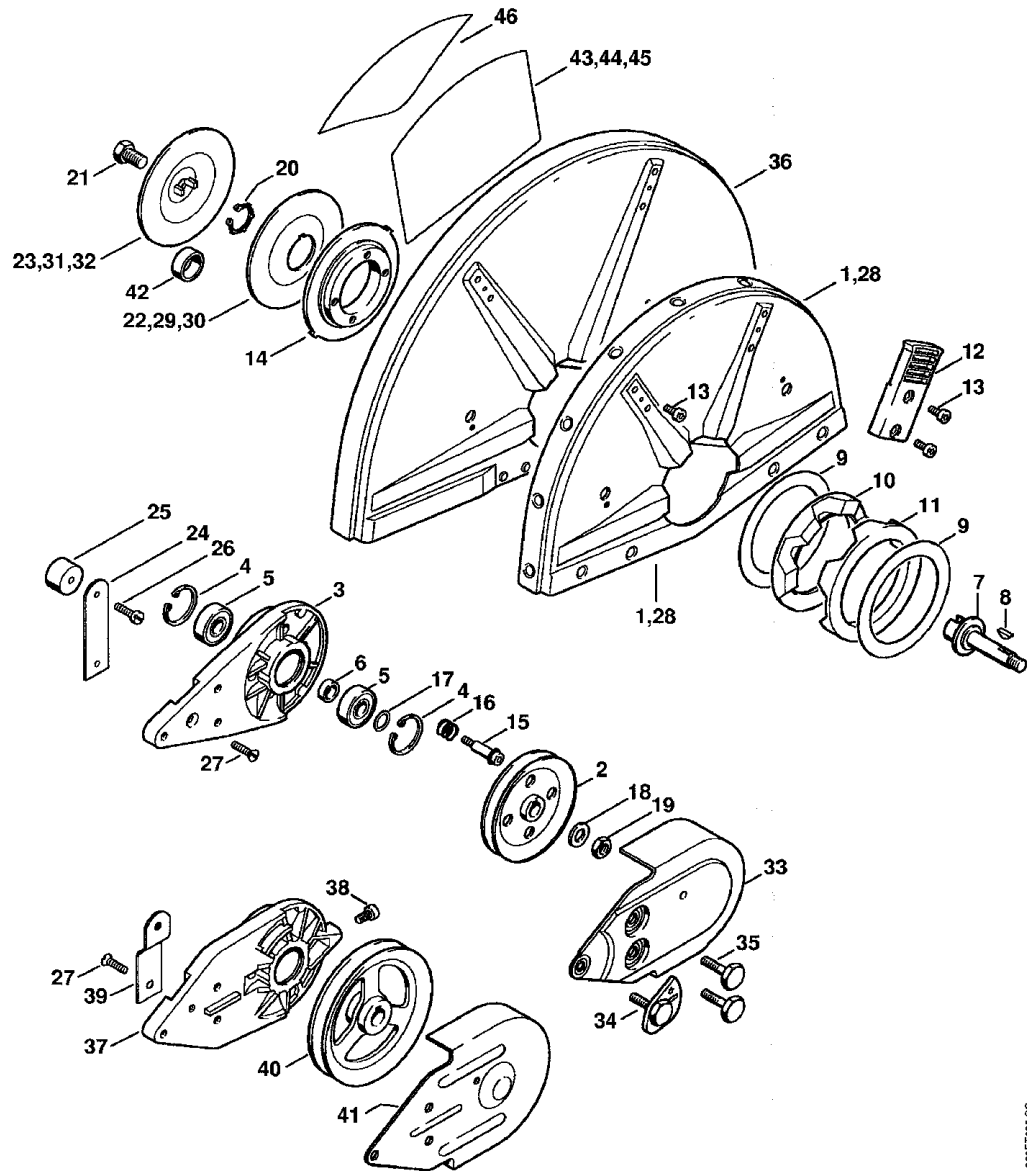
Drawing N Shroud, Handle frame

Reference	Item number	Qty	Description
30	9210 260 1100	1	Hexagon nut M8
31	4205 790 9301	1	Rubber buffer
32	9037 319 1750	2	Socket head screw M8x12
33	0000 958 0503	1	Washer
34	4205 145 9000	1	Plug USA
35	4205 790 9300	1	Rubber buffer
36 *	4205 791 7601	1	Support (27.1991)
37 *	4205 791 7400	1	Strap (27.1991)
38 *	9041 216 1350	2	Pan head screw M6x25 (27.1991)
39	0000 967 3702	1	Warning pictogram TS
40	0000 967 3502	1	Instruction label USA
40	0000 967 3685	1	Instruction label BR

(1) TS 510, (2) TS 760

TS 510, TS 760

SCS 03-2009 3.28



328ET095 SC

Drawing O Support with guard

Reference	Item number	Qty	Description
	4223 007 1005	1	Support with guard Ø 300 mm / 12" available in Brazil only □ 1 - 23
1	4238 700 8110	1	Guard Ø 300 mm / 12"
2	4201 700 2504	1	V-belt pulley
3	4205 791 3902	1	Support
4	9456 621 3600	2	Circlip 32x1.2
5	9503 003 6440	2	Grooved ball bearing 6201-2RS
6	0000 961 1206	1	Ring
7	4201 704 0504	1	Shaft
8	9482 435 0800	1	Woodruff key 4x5
9	4201 706 9202	2	Washer
10	4221 706 8800	1	Rubber ring
11	4221 706 8801	1	Rubber ring
12	4223 700 2900	1	Adjusting lever
13	9022 341 0960	4	Spline screw IS-M5x12
14	4205 706 2903	1	Flange
15	4223 710 9500		Adjusting screw (quantity as required) □ 16
16	0000 997 1303		Compression spring (quantity as required)
17	0000 958 1212	1	Washer
18	9291 021 0200	1	Washer 10.5
19	9211 260 1350	1	Hexagon nut M10x1 l/h thread
20	9450 721 2150	1	Circlip 20x1.2
21	4201 708 8402	1	Hexagon head screw M10x18
22	4201 708 3004	1	Thrust washer Ø 103 mm
23	4201 708 3014	1	Thrust washer Ø 103 mm

(1) TS 510, (2) TS 760

Drawing O Support with guard

Reference	Item number	Qty	Description
	4223 007 1008	1	Support with guard Ø 300 mm / 12" USA □ 1 - 27, 44
	4223 007 1016	1	Support with guard Ø 300 mm / 12" CDN □ 1 - 27, 46
24	4201 790 6005	1	Limit stop USA, CDN
25	4201 790 9302	1	Rubber buffer USA, CDN
26	9041 216 1230	1	Pan head screw M6x8 USA, CDN
27	9062 319 1260	1	Countersunk screw M6x12 USA, CDN
	4221 007 1008	1	Support with guard Ø 350 mm / 14" with water attachment □ 2 - 23, 28
	4221 007 1012	1	Support with guard Ø 350 mm / 14" USA, CDN □ 2 - 28, 45
	4221 007 1013	1	Support with guard Ø 350 mm / 14" with water attachment, J, AUS □ 2 - 21, 28, 29, 31
28	4224 700 8103	1	Guard Ø 350 mm / 14"
29	4205 708 3000	1	Thrust washer Ø 118 mm J
30	4205 708 3001	1	Thrust washer Ø 140 mm J
31	4205 708 3010	1	Thrust washer Ø 118 mm J
32	4205 708 3011	1	Thrust washer Ø 140 mm J

(1) TS 510, (2) TS 760

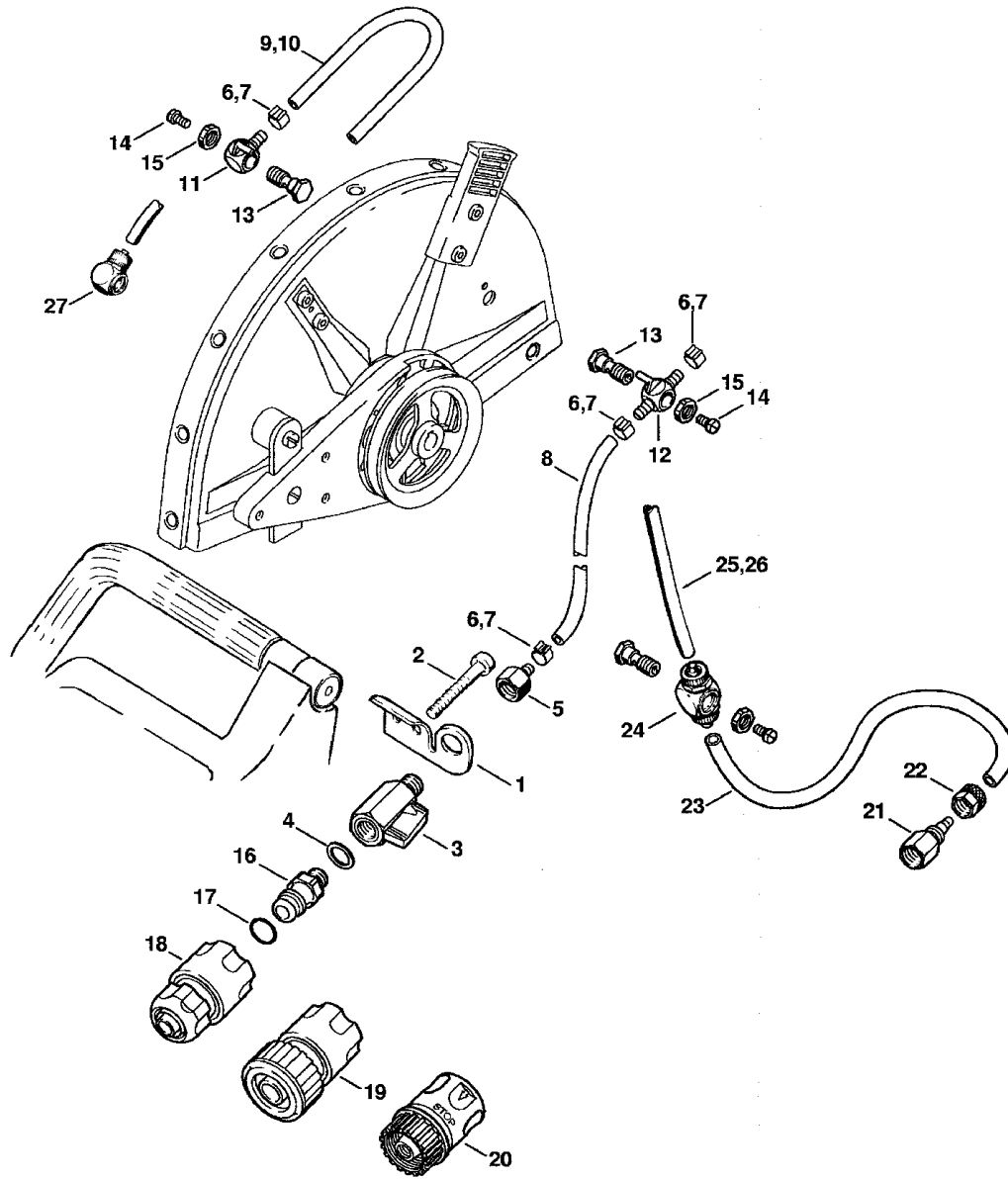
Drawing O Support with guard

Reference	Item number	Qty	Description
33	4201 700 8116	1	Guard
34	4201 760 9500	1	Adjusting screw
35	4201 708 8401	2	Hexagon head screw M8x42
36	4224 700 8105	1	Guard Ø 400 mm / 16" for TS 760 with Ø 400mm / 16" guard
37	4205 791 3903	1	Support for TS 760 with Ø 400mm / 16" guard
38	9022 341 1260	1	Spline screw IS-M6x12 for TS 760 with Ø 400mm / 16" guard
39	4205 792 9400	1	Limit stop USA, CDN for TS 760 with Ø 400mm guard
40	4205 704 1004	1	V-belt pulley for TS 760 with Ø 400mm / 16" guard
41	4205 706 8105	1	V-belt guard for TS 760 with Ø 400mm / 16" guard
42	4201 760 6100	1	Ring 1"x20x9.5 mm (B)
43	0000 967 3699	1	Instruction label USA for Ø 400mm / 16" guard
44	0000 967 3577	1	Instruction label USA for Ø 300mm / 12" guard
45	0000 967 3578	1	Instruction label USA for Ø 350mm / 12" guard
46	0000 967 3522	1	Instruction label CDN

(1) TS 510, (2) TS 760

TS 510, TS 760

SCS 03-2009 3.28

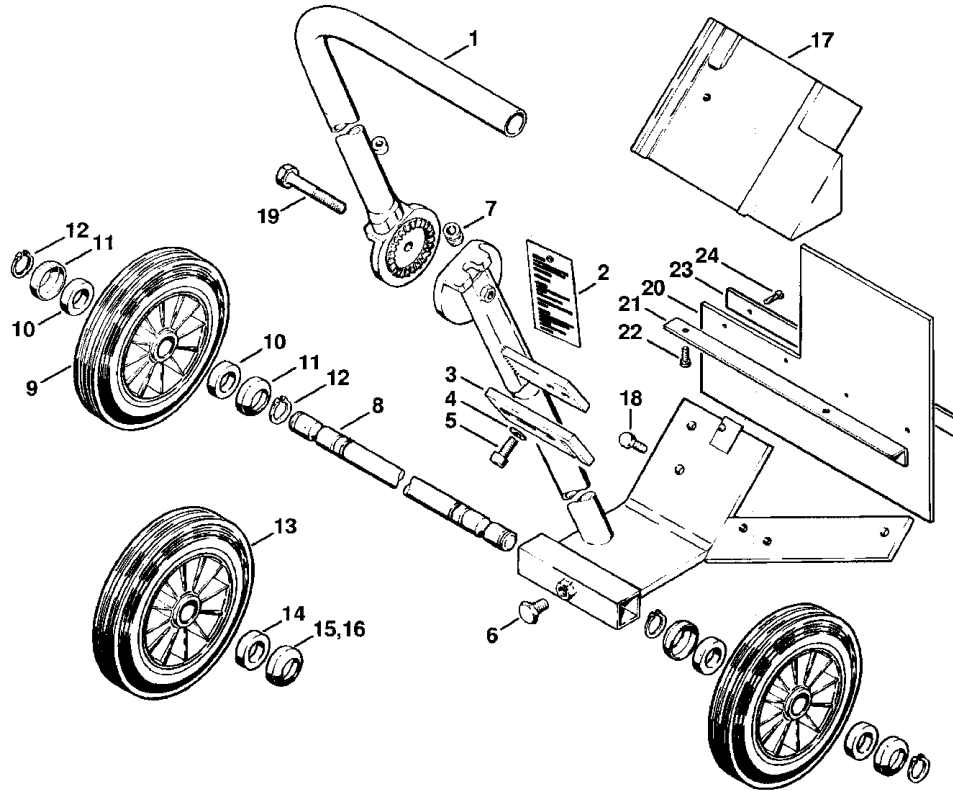


348ET003 SC

Drawing P Water attachment

Reference	Item number	Qty	Description
	4205 007 1015	1	Water attachment kit (B) □ 1 - 6, 8 - 18
1	4205 708 8200	1	Bracket
2	9022 341 1090	2	Spline screw IS-M5x40
3	4201 700 4500	1	Shut-off cock 1/4"
4	0000 954 1701	1	Sealing ring
5	4238 677 8200	1	Connector
6	9771 021 0921	4	Hose clip 10/7
7 *	9771 021 0920	4	Hose clip 9.5/7
8		1	Hose 5.6x1.9x356 mm / 14" (D)
9		1	Hose 5.6x1.9x220 mm / 8 11/16" (D) for Ø 350mm / 14" guard
10		1	Hose 5.6x1.9x270 mm / 10 5/8" (D) for Ø 400mm / 16" guard
	0000 937 4049	1	Hose 5.6x1.9 mm x 1 m (A,B)
11	4224 677 8202	1	Connector
12	4224 677 8201	1	Connector
13	4201 708 8400	2	Banjo bolt
14	9041 216 0950	2	Pan head screw M5x10
15	9211 021 8900	2	Hexagon nut G 1/8"
16	4201 700 7300	1	Hose connector □ 17
17	9645 945 7506	1	O-ring 10x3
18	4201 670 1700	1	Coupling sleeve 1/2"
19	4201 670 1705	1	Coupling sleeve 3/4"
20	4201 670 1701	1	Coupling sleeve 3/4" USA
21 *	4201 708 8600	1	Nut
22 *	4201 708 3100	1	Union nut
23 *	0000 989 5215	1	Hose 340 mm / 13 7/16"
24 *	4201 677 1007	1	Union
25 *	4201 678 1111	1	Hose 195 mm / 7 1/2"
26 *	4201 678 1113	1	Hose 300 mm / 11 13/16" for TS 760 with Ø 400mm / 16" guard
27 *	4201 677 1008	1	Elbow union 1/8"

(1) TS 510, (2) TS 760

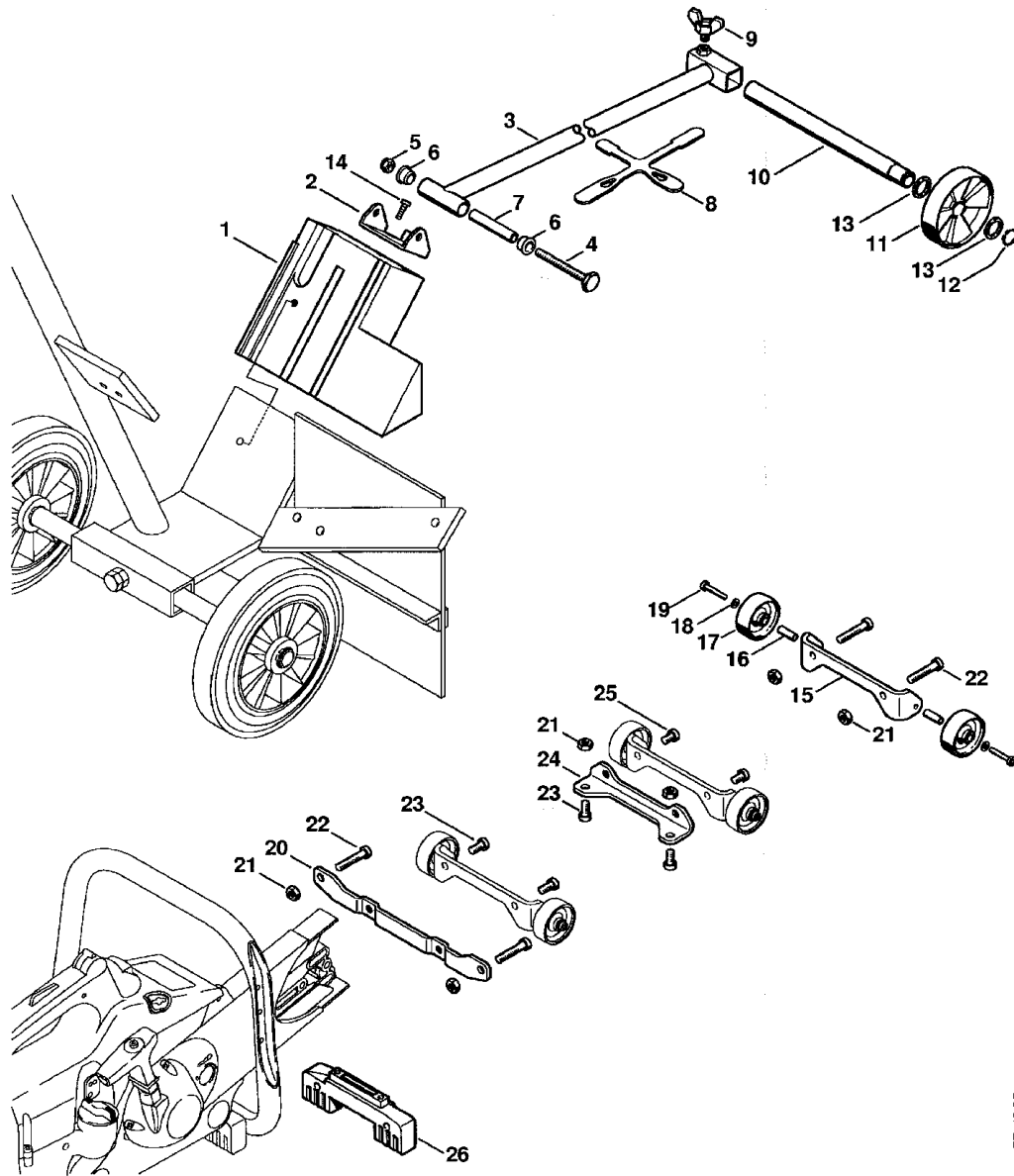


330ET062 GM

Drawing R Cutquik cart, Splash guard

Reference	Item number	Qty	Description
	4201 710 1403	1	Cutquik cart (B) □ 1 - 6, 8 - 12, 17 - 24
1	4201 790 2300	1	Guide tube (B)
2	4201 967 4200	1	Tag (B)
3	4201 792 9500	1	Adjustable strap (B)
4	9045 319 1800	2	Socket head screw M8x20 (B)
5	9291 021 0180	2	Washer 8.4 (B)
6	4201 708 8402	1	Hexagon head screw M10x18 (B)
7 *	4201 791 9500	1	Rubber bushing (B)
8	4201 711 0903	1	Axle (B)
9	4201 790 5700	2	Wheel (B) □ 10, 11
10	0000 988 1900	2	Felt ring (B)
11	4201 791 9200	2	Cap (B)
12	9455 621 2150	4	Circlip 20x1.2 (B)
13 *	4201 710 3000	2	Wheel (B) (38.1995)
14 *	0000 988 1900	4	Felt ring (B) (38.1995)
15 *	4201 717 2001	4	Cap (B) (38.1995)
16 *	4201 717 2000	4	Cap (B) (47.1990)
17	4201 790 6300	1	Counterweight (B)
18	9008 319 1830	1	Hexagon head screw M8x25 (B)
19	4201 708 8405	1	Hexagon head screw M10x70 (B)
	4201 007 1033	1	Splash guard mounting kit (B) □ 20 - 24
20	4201 792 9100	1	Guard (B)
21	4201 792 6000	1	Bracket (B)
22	9079 319 0960	2	Flat head screw M5x12 (B)
23	4201 792 9501	1	Strap (B)
24	9039 488 0680	4	Self-tapping screw M4x16 (B)
	* 4201 007 1029	1	Conversion kit adjustable strap (B) (29.1985) □ 2 - 5

(1) TS 510, (2) TS 760

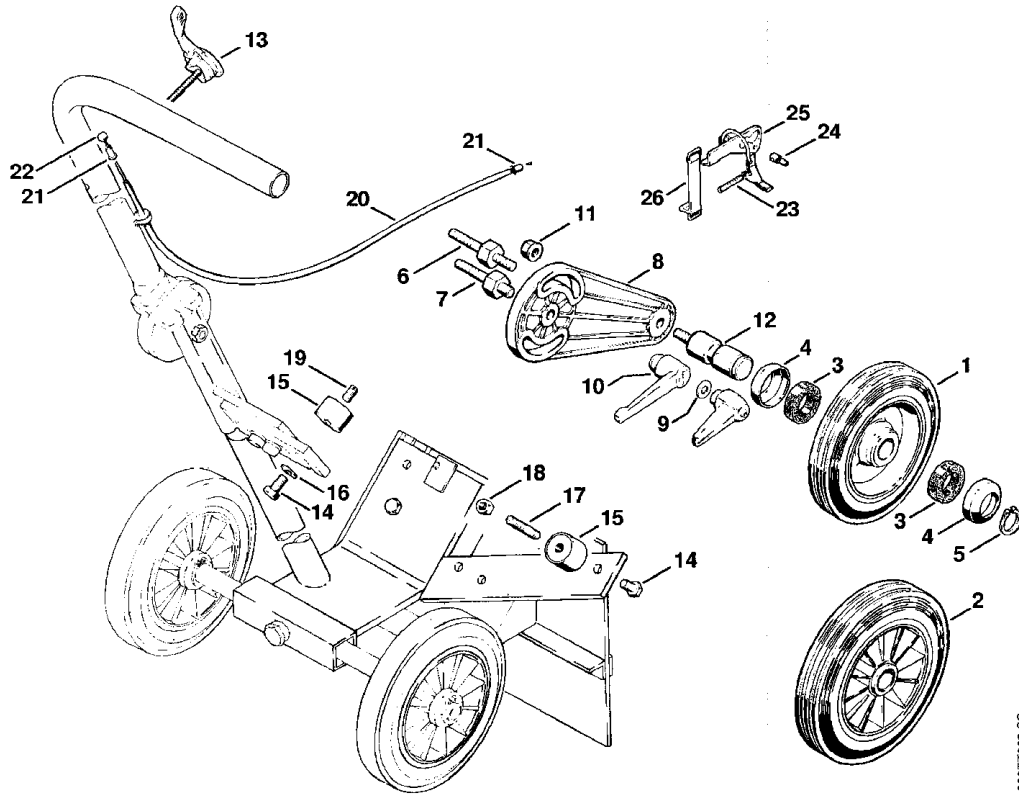


338ET045 SC

Drawing S Guide wheel kit, Wheel kit

Reference	Item number	Qty	Description
1	4201 790 6300	1	Counterweight (B) □ 14
	4205 007 1009	1	Guide wheel kit (B) □ 2 - 14
2	4205 791 5400	1	Support (B)
3	4201 790 2100	1	Frame (B)
4	9007 319 2020	1	Hexagon head screw M8x85 (B)
5	9212 260 1100	1	Hexagon nut M8 (B)
6	4205 791 7200	2	Sleeve (B)
7	4205 791 2701	1	Tube (B)
8	0000 792 4200	1	Retaining strap (B)
9	4205 710 9300	1	Wing screw (B)
10	4201 711 0904	1	Axle (B)
11	4137 712 1001	1	Wheel (B)
12	9455 621 1920	1	Circlip 18x1.2 (B)
13	4205 791 8400	2	Ring (B)
14	9008 319 1800	2	Hexagon head screw M8x20 (B)
	4223 007 1014	1	Mounting kit wheels (B) □ 15 - 24
15		1	Carrier TS 400 (B,D)
16	4223 791 7200	2	Sleeve (B)
17	4223 791 3600	2	Wheel (B)
18	9307 021 0120	2	Washer 5.3 (B)
19	9022 341 1070	2	Spline screw IS-M5x30 (B)
20		1	Carrier TS 460 (B,D)
21	9210 260 1100	2	Hexagon nut M8 (B)
22	9037 319 1900	2	Socket head screw M8x40 (B)
23	9037 319 1780	2	Socket head screw M8x16 (B)
24		1	Carrier TS 510/760 (B,D)
25	9037 319 1750	2	Socket head screw M8x12 (B)
26	4223 791 7605	1	Support (B)

(1) TS 510, (2) TS 760

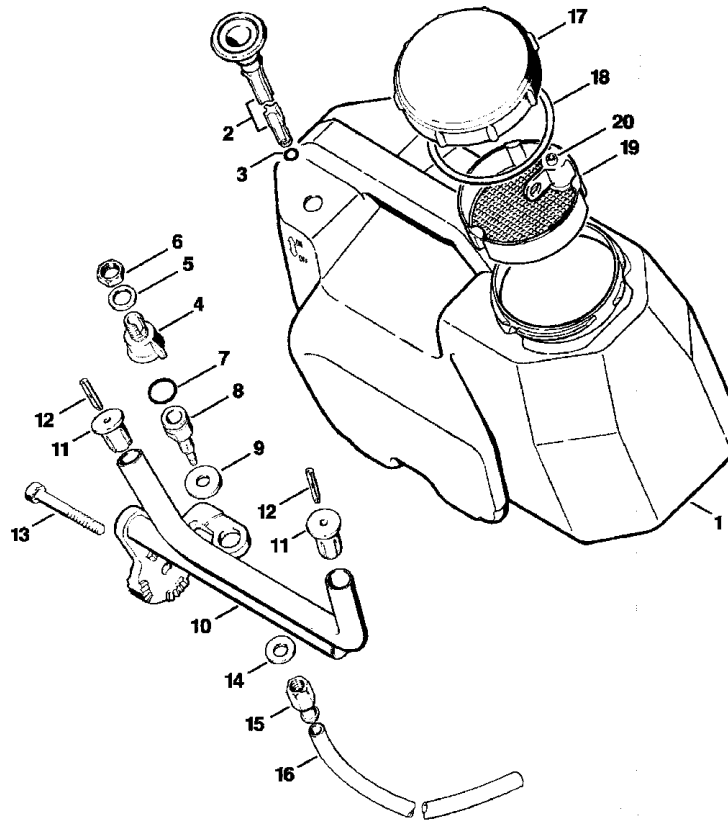


328ET082 SC

Drawing T Stop depth wheel, Cart for cutquik

Reference	Item number	Qty	Description
	4201 007 1041	1	Depth wheel kit (B) □ 1, 3 - 8, 10 - 12
1	4201 712 1005	1	Wheel Ø 142 mm (B)
2 *	4201 710 3000	1	Wheel (B) (38.1995) □ 3, 4
3	0000 988 1900	2	Felt ring (B)
4	4201 717 2001	2	Cap (B)
5	9455 621 2150	1	Circlip 20x1.2 (B)
6	4201 711 8500	1	Stud (B)
7	4201 711 8501	1	Stud (B)
8	4201 711 0700	1	Swivel arm (B)
9 *	9291 021 0180	1	Washer 8.4 (B) (38.1995)
10	9582 003 0471	1	Clamp lever M8 (B)
11	9220 260 1100	1	Hexagon nut M8 (B)
12	4201 711 0901	1	Axle (B)
	4205 007 1008	1	Mounting kit Cutquik cart (B) □ 13 - 26
13	4201 180 0700	1	Control lever (B)
14	9008 319 1780	2	Hexagon head screw M8x16 (B)
15	4201 790 9300	2	Rubber insert (B)
16	9291 021 0180	1	Washer 8.4 (B)
17	9123 319 1900	2	Stud M8x40 (B)
18	9210 260 1100	2	Hexagon nut M8 (B)
19	9131 216 1780	1	Grub screw M8x16 (B)
20	4201 180 1100	1	Throttle cable (B) □ 21 - 24
21	4308 182 8800	2	Terminal sleeve (B)
22	9793 003 0030	1	Grease nipple D (B)
23	0000 997 0427	1	Compression spring (B)
24	0000 937 3000	1	Screw nipple (B)
25	4201 180 1800	1	Throttle control (B)
26	4201 180 2200	1	Rubber strap (B)

(1) TS 510, (2) TS 760

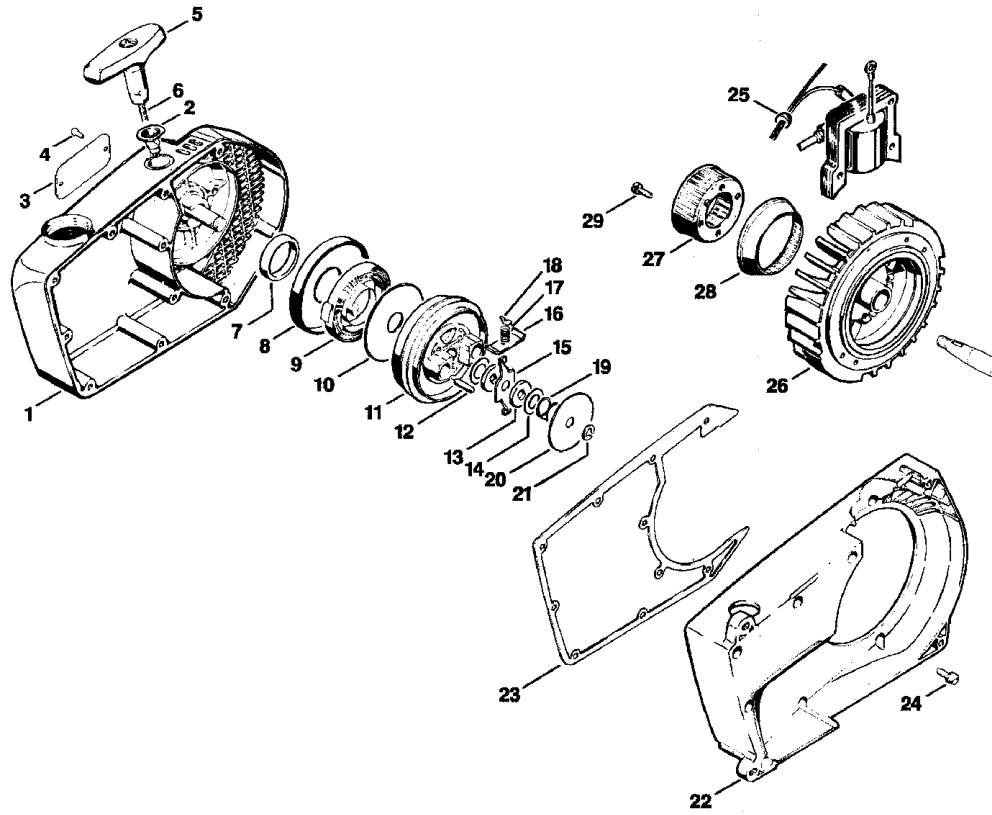


328ET021 LÄ

Drawing U Water tank

Reference	Item number	Qty	Description
	4201 007 1048	1	Water tank mounting kit (B) □ 1 - 20
1	4201 701 0800	1	Water tank (B)
2	4201 700 6250	1	Valve (B) □ 3 - 5
3	9646 945 0340	1	O-ring 6x1.5 (B)
4		1	Valve (B,D)
5	9636 965 1960	1	Sealing ring 18x24 (B)
6	9208 260 1660	1	Hexagon nut M16 (B)
7	9645 945 1390	1	O-ring 14x2.5 (B)
8	4201 708 9600	1	Connector (B)
9	9307 021 0200	1	Washer 10.5 (B)
10	4201 700 7400	1	Bracket (B) □ 11, 12
11	4201 703 2800	2	Plug (B)
12	9380 620 2700	2	Roll pin 5x30 (B)
13	4201 708 8405	1	Hexagon head screw M10x70 (B)
14	9486 648 1195	1	Cup spring 23x10.2x1.25 (B)
15	4201 677 7400	1	Hose connector (B)
16	4201 678 1114	1	Hose 545 mm / 21 1/2" (B)
17	4202 701 0900	1	Container cap (B)
18	4202 709 2000	1	Sealing ring (B)
19	4202 700 8805	1	Strainer (B) □ 20
20		1	Plug (B,C)

(1) TS 510, (2) TS 760

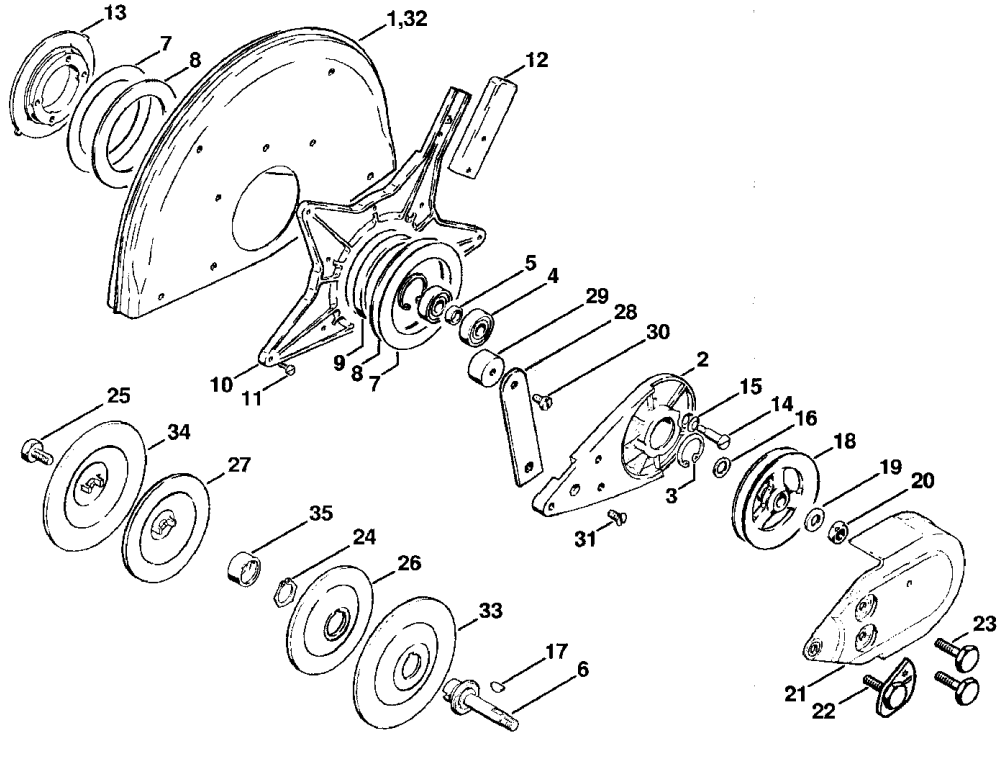


328ET025 LÄ

Drawing W Rewind starter friction shoe → 6 745 960 (30.80)

Reference	Item number	Qty	Description
1 *	1111 080 2801	1	Fan cover (1) → 6 745 960 (30.1980) □ 2 - 4
2 *	1110 084 9102	1	Bushing (1) → 6 745 960 (30.1980)
3 *	0000 967 2020	1	Nameplate STIHL (1) → 6 745 960 (30.1980)
4 *	0000 974 1000	2	Round head rivet 3x6 (1) → 6 745 960 (30.1980)
5 *	1121 195 3400	1	Starter grip (1) → 6 745 960 (30.1980)
6 *	1107 195 8200	1	Starter rope Ø 4.5x1000 mm (1) → 6 745 960 (30.1980)
*	0000 930 2200	1	Starter rope Ø 4.5 mm x 30.5 m (B) (1) → 6 745 960 (30.1980)
7 *	0000 988 2405	1	Felt ring (1) → 6 745 960 (30.1980)
8 *	1111 195 1300	1	Cover (1) → 6 745 960 (30.1980)
9 *	1111 195 1600	1	Rewind spring (1) → 6 745 960 (30.1980)
10 *	1111 195 9005	1	Washer (1) → 6 745 960 (30.1980)
11 *	1111 190 1000	1	Rope rotor (1) → 6 745 960 (30.1980) □ 12
12 *	1106 195 9800	4	Notched pin (1) → 6 745 960 (30.1980)
13 *	1106 195 9001	2	Washer (1) → 6 745 960 (30.1980)
14 *	0000 958 1010	2	Washer (1) → 6 745 960 (30.1980)
*	1106 190 4600	1	Friction shoe (1) → 6 745 960 (30.1980) □ 15 - 19
15 *	1106 195 3000	1	Brake lever (1) → 6 745 960 (30.1980)
16 *	1106 195 5000	2	Friction shoe plate (1) → 6 745 960 (30.1980)
17 *	1106 195 5100	2	Friction shoe spring (1) → 6 745 960 (30.1980)
18 *	1106 195 1700	2	Spring retainer plate (1) → 6 745 960 (30.1980)
19 *	1106 195 2900	1	Brake spring (1) → 6 745 960 (30.1980)
20 *	1106 195 3200	1	Thrust washer (1) → 6 745 960 (30.1980)
21 *	9460 624 0500	1	E-clip 5 (1) → 6 745 960 (30.1980)
22 *	1111 084 1000	1	Fan housing (1) → 6 745 960 (30.1980)
23 *	1111 353 0700	1	Gasket (1) → 6 745 960 (30.1980)
24 *	9048 319 0660	10	Pan head screw M4x12 (1) → 6 745 960 (30.1980)
25 *	0000 989 0804	1	Grommet (1) → 6 745 960 (30.1980)
26 *	1111 404 1202	1	Flywheel (1) → 6 745 960 (30.1980)
27 *	1111 195 4100	1	Starter cup (1) → 6 745 960 (30.1980)
28 *	1111 195 9300	1	Ring (1) → 6 745 960 (30.1980)
29 *	9048 319 0660	4	Pan head screw M4x12 (1) → 6 745 960 (30.1980)

(1) TS 510, (2) TS 760



328ET033 G1M

Drawing Y Support with guard (38.95)

Reference	Item number	Qty	Description
	* 4201 007 1035	1	Support with guard Ø 300 mm / 12" (C) (38.1995) □ 1 - 27
1	* 4201 700 8103	1	Guard Ø 300 mm / 12" (38.1995)
2	* 4205 791 3901	1	Support (38.1995)
3	* 9456 621 3600	2	Circlip 32x1.2 (38.1995)
4	* 9503 003 6440	2	Grooved ball bearing 6201-2RS (38.1995)
5	* 0000 961 1206	1	Ring (38.1995)
6	* 4201 704 0504	1	Shaft (38.1995)
7	* 4201 706 9202	2	Washer (38.1995)
8	* 4201 706 9201	2	Washer (38.1995)
9	* 4201 706 8801	1	Rubber ring (38.1995)
10	* 4205 706 2900	1	Flange (38.1995)
11	* 9079 346 0660	9	Flat head screw M5x12 (38.1995)
12	* 4201 706 2600	1	Adjusting lever (38.1995)
13	* 4205 706 2903	1	Flange (38.1995)
14	* 9086 216 1320		Flat head screw M6x20 (quantity as required) (38.1995)
15	* 9486 648 1010		Cup spring 15x8.2x0.6 (quantity as required) (38.1995)
16	* 0000 958 1212	1	Washer (38.1995)
17	* 9482 435 0800	1	Woodruff key 4x5 (38.1995)
18	* 4201 704 1000	1	V-belt pulley (38.1995)
19	* 9291 021 0200	1	Washer 10.5 (38.1995)
20	* 9211 260 1350	1	Hexagon nut M10x1 l/h thread (38.1995)
21	* 4201 700 8116	1	Guard (38.1995)
22	* 4201 760 9500	1	Adjusting screw (38.1995)
23	* 4201 708 8401	2	Hexagon head screw M8x42 (38.1995)
24	* 9450 721 2150	1	Circlip 20x1.2 (38.1995)
25	* 4201 708 8402	1	Hexagon head screw M10x18 (38.1995)
26	* 4201 708 3004	1	Thrust washer Ø 103 mm (38.1995)
27	* 4201 708 3014	1	Thrust washer Ø 103 mm (38.1995)

(1) TS 510, (2) TS 760

TS 510, TS 760

SCS 03-2009 3.28

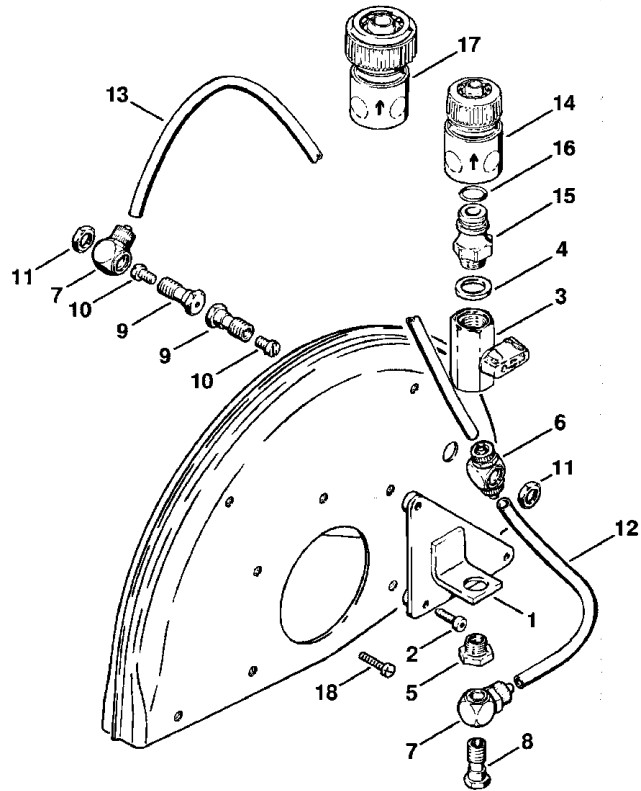
Drawing Y Support with guard (38.95)

Reference	Item number	Qty	Description
	* 4201 007 1040	1	Support with guard Ø 300 mm / 12" (C) USA (38.1995) □ 1 - 31
28	* 4201 790 6005	1	Limit stop (38.1995)
29	* 4201 790 9302	1	Rubber buffer (38.1995)
30	* 9041 216 1230	1	Pan head screw M6x8 (38.1995)
31	* 9062 319 1260	1	Countersunk screw M6x12 (38.1995)
	* 4205 007 1035	1	Support with guard Ø 350 mm / 14" (C) J (38.1995) □ 2 - 25, 32 - 34
32	* 4205 700 8100	1	Guard Ø 350 mm / 14" (38.1995)
33	* 4205 708 3000	1	Thrust washer Ø 118 mm (38.1995)
34	* 4205 708 3010	1	Thrust washer Ø 118 mm (38.1995)
	* 4205 007 1040	1	Support with guard Ø 350 mm / 14" (C) USA (38.1995) □ 2 - 32
35	* 4201 760 6100	1	Ring 1"x20x9.5 mm (B) (38.1995)

(1) TS 510, (2) TS 760

TS 510, TS 760

SCS 03-2009 3.28



330ET085 GM

Drawing Z Water attachment (38.95)

Reference	Item number	Qty	Description
1 *	4201 700 6801	1	Bracket (B) (38.1995)
2 *	9022 313 0710	3	Spline screw IS-M4x20 (B) (38.1995)
3 *	4201 676 0801	1	Shut-off cock 1/4" (B) (38.1995)
4 *	9636 965 1430	1	Sealing ring 14x18 (B) (38.1995)
5 *	4201 677 7802	1	Reducer 1 1/8", A 1/4" (B) (38.1995)
6 *	4201 677 1007	1	Union (B) (38.1995)
7 *	4201 677 1008	2	Elbow union 1/8" (B) (38.1995)
8 *	4201 677 8400	1	Banjo bolt (B) (38.1995)
9 *	4201 708 8400	2	Banjo bolt (B) (38.1995)
10 *	9041 216 0950	2	Pan head screw M5x10 (B) (38.1995)
11 *	9211 021 8900	2	Hexagon nut G 1/8" (B) (38.1995)
12 *	4201 678 1110	1	Hose 80 mm / 3 3/16" (B) (38.1995)
13 *	4201 678 1111	1	Hose 195 mm / 7 1/2" (B) (38.1995)
	* 4201 670 1600	1	Coupling (B) (38.1995) □ 4, 14 - 16
14 *	4201 670 1700	1	Coupling sleeve 1/2" (B) (38.1995)
15 *	4201 700 7300	1	Hose connector (B) (38.1995) □ 16
16 *	9645 945 7506	1	O-ring 10x3 (B) (38.1995)
17 *	4201 670 1705	1	Coupling sleeve 3/4" (B) (38.1995)
18 *	9048 319 0710	3	Pan head screw M4x20 (B) (09.1994)

(1) TS 510, (2) TS 760